

PCB LEVEL

EFA04 Fiber Reels Fiber Reels

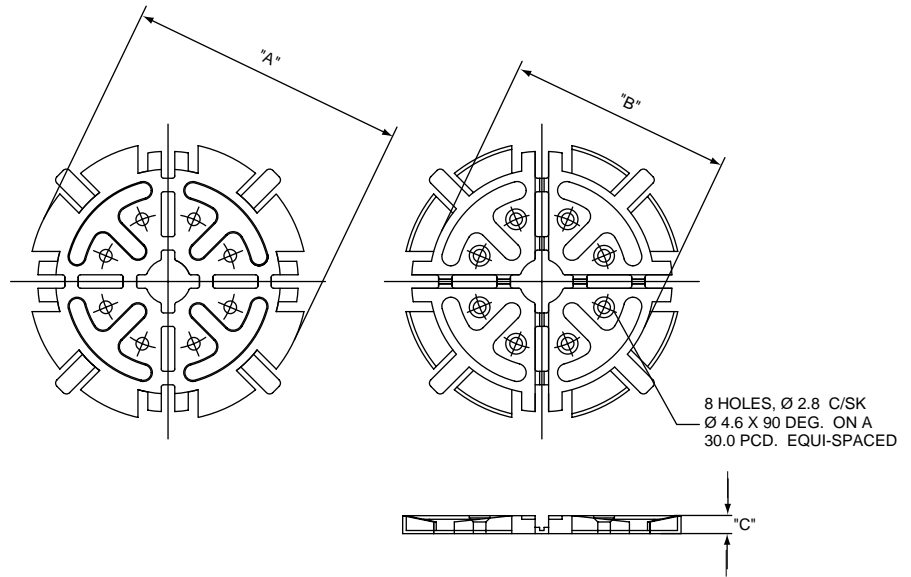
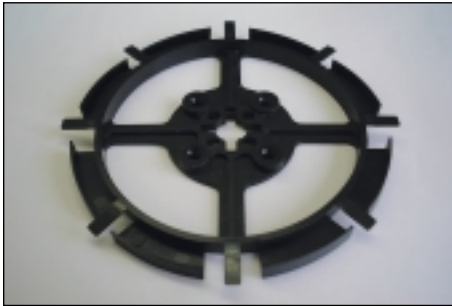
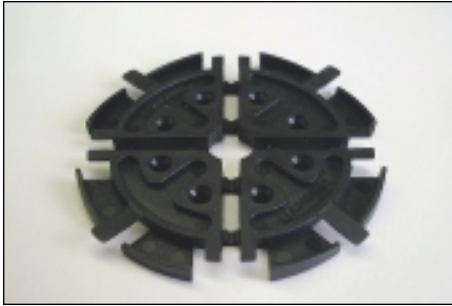


Fig. 1

Features

- Variable radius storage options
- Can be screw mounted (screw not supplied), or optional adhesive pad mounted (adhesive pads supplied when specified)
- Board mountable using Stand-off EFA04 27 ASS (page 43)
- Stackable using Stacking Pillar EFA04 53 ASS (page 43)
- Fig. 1 can be broken apart into 4 - 90 degree bending control devices
- Can accommodate bare to ruggedized fiber

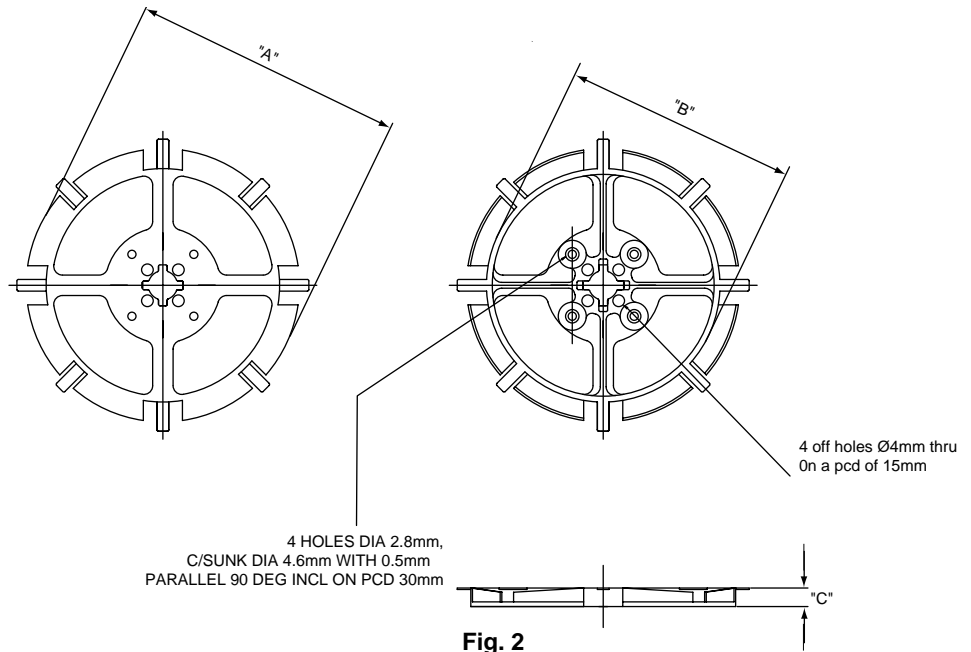


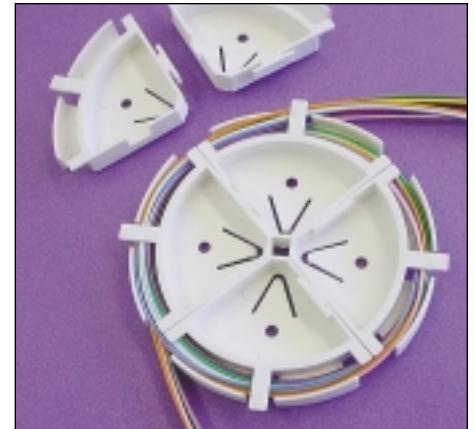
Fig. 2

A Europlus/Richco product

Material: Flame Retardant Polyamide 6 (UL 94V0) • Color: Black							
Part Number	Contents	Standard Pack: 100 per bag			Figure	Max. Fiber Storage	
		"A"	"B"	"C" Height			
EFA04 04 001	25mm Radius Fiber Reel	62.0	50.0	4.0	1	2700mm of 900 micron fiber	
EFA04 04 ASS	EFA04 04 001 with 4 self adhesive pads			6.35		4250mm of 900 micron fiber	
EFA04 21 001	25mm Radius Fiber Reel			4.8		3120mm of 900 micron fiber	
EFA04 21 ASS	EFA04 21 001 with 4 self adhesive pads	72.0	60.0	10.0		10,000mm of 900 micron fiber	
EFA04 10 001	30mm Radius Fiber Reel			8.0		15,000mm of 900 micron fiber	
EFA04 10 ASS	EFA04 10 001 with 4 self adhesive pads			6.35		5000mm of 900 micron fiber	
EFA04 14 001	30mm Radius Fiber Reel	82.0	70.0	8.0		2	5000mm of 900 micron fiber
EFA04 14 ASS	EFA04 14 001 with 4 self adhesive pads			6.35			5000mm of 900 micron fiber
EFA04 76 001	35mm Radius Fiber Reel			6.35			5000mm of 900 micron fiber
EFA04 76 ASS	EFA04 76 001 with 4 self adhesive pads	92.4	80.0	6.35	2	5000mm of 900 micron fiber	
EFA04 23 001	40mm Radius Fiber Reel			6.35		5000mm of 900 micron fiber	
EFA04 23 ASS	EFA04 23 001 with 4 self adhesive pads			6.35		5000mm of 900 micron fiber	

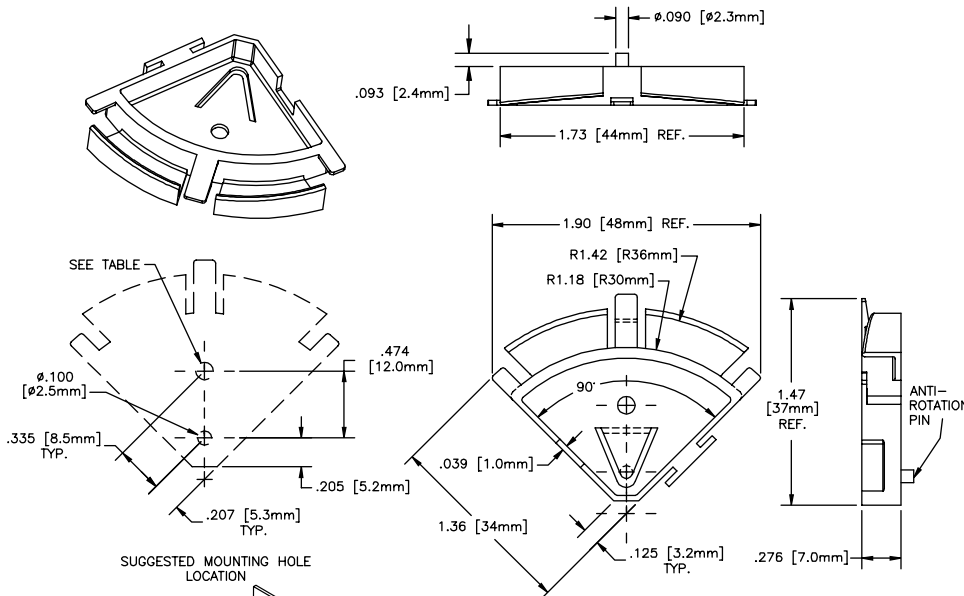
Dimensioned in millimeters

OFS90-30R Optical Fiber Segment - 90 Degree - 30mm Radius



Material: Flame Retardant Nylon, RMS-19 Color: Natural
Standard Pack: 100 per bag

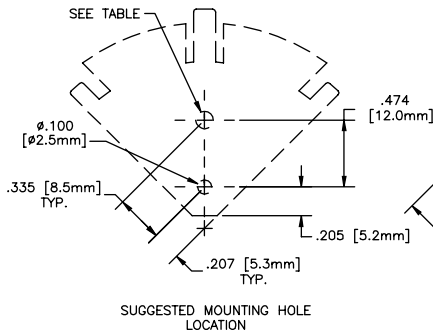
MOUNTING RIVETS FOR THE OFS90-30R		
Rivet No.	Panel Thickness Range	Mounting Hole Dia.
SRV0-3035	Up to .039 (1.0)	.122-.126 (3.1-3.2)
SRV0-3045	.039-.079 (1.0-2.0)	
SRV0-3055	.079-.118 (2.0-3.0)	
SRV0-3065	.118-.158 (3.0-4.0)	
SRV0-3075	.158-.197 (4.0-5.0)	
SRV0-3080	.177-.217 (4.5-5.5)	
SRV0-3090	.217-.256 (5.5-6.5)	
SRV0-3100	.256-.295 (6.5-7.5)	



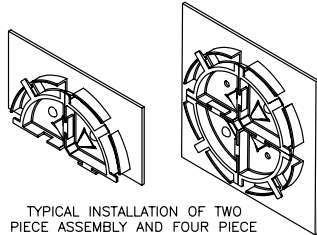
Features

- Assemble two pieces for bend control around a 180 degree turn
- Assemble four pieces for excess fiber spooling at 30mm radius
- In a four-piece assembled mode, stores approximately 6000mm of 900 micron fiber
- Rivet mounted with SR-3XXX series Richco rivet

SEE TABLE



SUGGESTED MOUNTING HOLE LOCATION

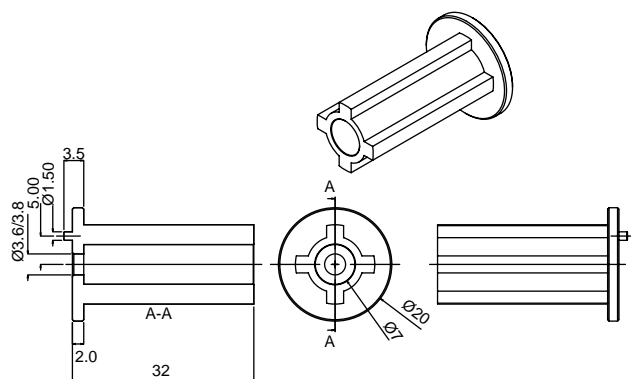


TYPICAL INSTALLATION OF TWO PIECE ASSEMBLY AND FOUR PIECE ASSEMBLY.

EFA04 53 ASS Fiber Reel Mounting Pillar

Features

- Part comes with SRHR-3555 rivet and spring retaining clip
- Stacks Fiber Reels, Winding and Storage Reels, and Multi-Position Array Trays



A Europlus/Richco product

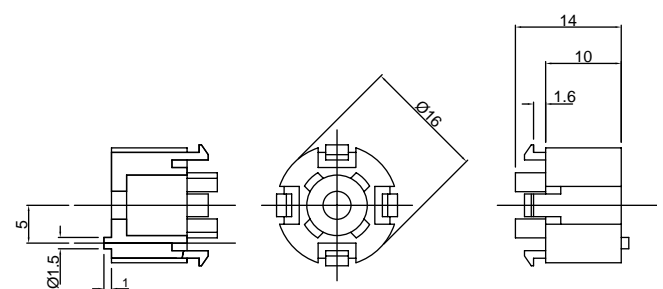
Material: Flame Retardant Polyimide 6 (UL 94V0) • Color: Black
Standard Pack: 100 per bag

Dimensioned in millimeters

EFA04 27 ASS Fiber Reel Stand-off

Features

- Part comes with SRHR-3555 rivet
- Mounts Fiber Reels, Winding and Storage Reels, and Multi-Position Array Trays



A Europlus/Richco product

Material: Flame Retardant Polyimide 6 (UL 94V0) • Color: Black
Standard Pack: 50 per bag

Dimensioned in millimeters

EFA04 34 Corner Guide

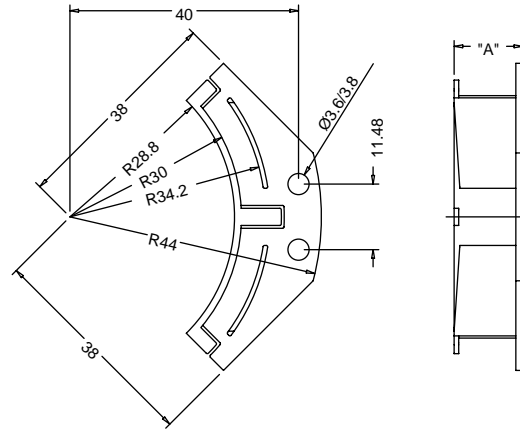


Fig. 1

Features

- Maintains bending radius through a 90 degree turn
- Variable radius control options
- Rivet, screw or adhesive mounted

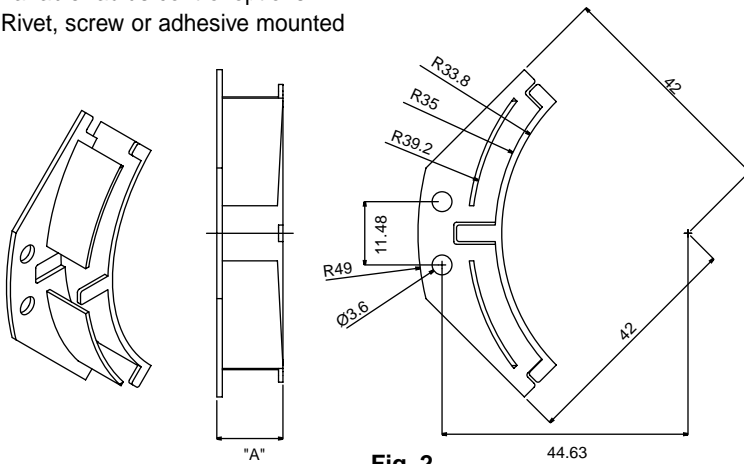


Fig. 2

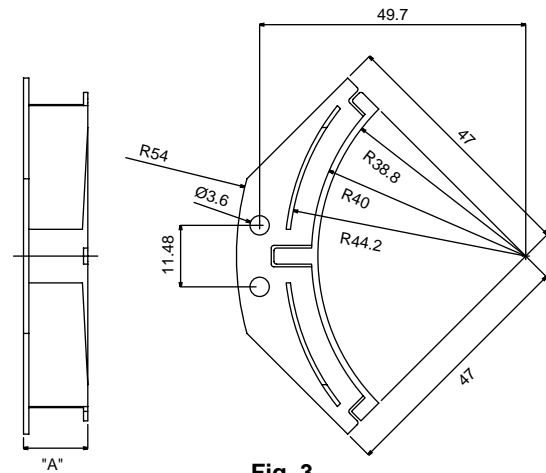


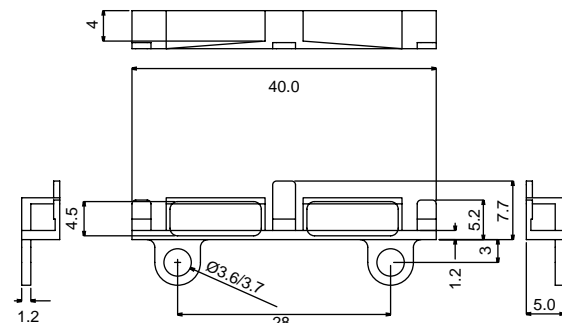
Fig. 3

A Europlus/Richco product

Material: Flame Retardant Polyamide 6 (UL 94V0) • Color: Black			
Part Number	Standard Pack: 100 per bag		Figure
	Contents	"A" Height	
EFA04 34 001	30mm Radius Corner Guide	5.0	1
EFA04 34 P01	EFA04 34 001 with self adhesive pad		
EFA04 34 R01	EFA04 34 001 with SRHR-3555 rivets		
EFA04 34 PR1	EFA04 34 001 with pad and rivets		
EFA04 34 010	30mm Radius Corner Guide	8.0	1
EFA04 34 P10	EFA04 34 010 with self adhesive pad		
EFA04 34 R10	EFA04 34 010 with SRHR-3555 rivets		
EFA04 34 PR0	EFA04 34 010 with pad and rivets		
EFA04 34 004	30mm Radius Corner Guide	12.0	1
EFA04 34 P04	EFA04 34 004 with self adhesive pad		
EFA04 34 R04	EFA04 34 004 with SRHR-3555 rivets		
EFA04 34 PR4	EFA04 34 004 with pad and rivets		
EFA04 34 002	35mm Radius Corner Guide	4.8	2
EFA04 34 P02	EFA04 34 002 with self adhesive pad		
EFA04 34 R02	EFA04 34 002 with SRHR-3555 rivets		
EFA04 34 PR2	EFA04 34 002 with pad and rivets		
EFA04 34 005	35mm Radius Corner Guide	12.0	2
EFA04 34 P05	EFA04 34 005 with self adhesive pad		
EFA04 34 R05	EFA04 34 005 with SRHR-3555 rivets		
EFA04 34 PR5	EFA04 34 005 with pad and rivets		
EFA04 34 003	40mm Radius Corner Guide	4.8	3
EFA04 34 P03	EFA04 34 003 with self adhesive pad		
EFA04 34 R03	EFA04 34 003 with SRHR-3555 rivets		
EFA04 34 PR3	EFA04 34 003 with pad and rivets		
EFA04 34 006	40mm Radius Corner Guide	12.0	3
EFA04 34 P06	EFA04 34 006 with self adhesive pad		
EFA04 34 R06	EFA04 34 006 with SRHR-3555 rivets		
EFA04 34 PR6	EFA04 34 006 with pad and rivets		

Dimensioned in millimeters

EFA04 60 Straight Guide



A Europlus/Richco product

Material: Flame Retardant Polyamide 6 (UL 94V0) • Color: Black	
Part Number	Standard Pack: 100 per bag
	Contents
EFA04 60 001	Straight Guide
EFA04 60 P01	Straight Guide with self adhesive pad
EFA04 60 R01	Straight Guide with SRHR-3555 rivets
EFA04 60 PR1	Straight Guide with pad and rivets

Dimensioned in millimeters